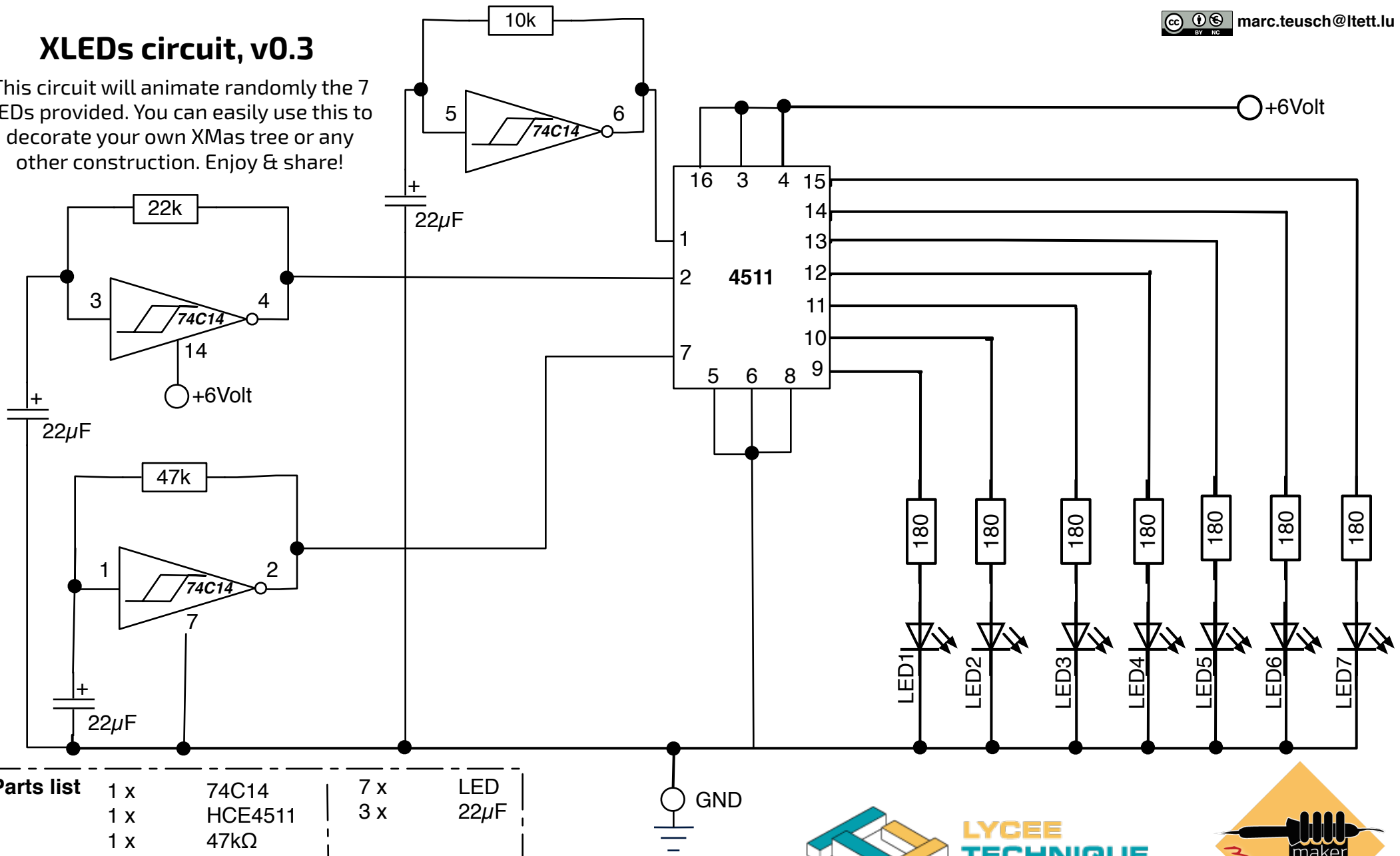


# XLEDs circuit, v0.3

This circuit will animate randomly the 7 LEDs provided. You can easily use this to decorate your own XMas tree or any other construction. Enjoy & share!



Parts list	Quantity	Value	Quantity	Value
	1 x	74C14	7 x	LED
	1 x	HCE4511	3 x	22μF
	1 x	47kΩ		
	1 x	22kΩ		
	1 x	150kΩ		
	7 x	180Ω		



**LYCEE  
TECHNIQUE  
d'Ettelbruck**

